

- 体积小、调节方便 Compact size, easy to adjust
- 可执行 QZJ 840633“七专”技术标准 QZJ 840633 qualified

## WXWX 型线绕预调电位器 WXWX Wirewound preset potentiometer

### ■ 适用标准 Applicable Specifications

- GB/T 15298-94 电子设备用电位器 第一部分：总规范
- Q/RU105-1995 WXWX-1、2、3 型线绕预调电位器详细规范

### ■ 电特性 Electrical Characteristics

- 标称阻值范围 Range of nominal resistance  
4.7Ω~47KΩ
- 阻值允许偏差 Resistance tolerance: ±5%, ±10%
- 终端电阻 Terminal resistance: ±2%R or 1Ω  
(取较大者, whichever greater)
- 绝缘电阻 Insulation resistance  $R_i \geq 100M\Omega$
- 耐电压 Dielectric withstand voltage: 250V<sub>AC</sub>
- 有效电行程 Effective Electrical travel: >28 turns

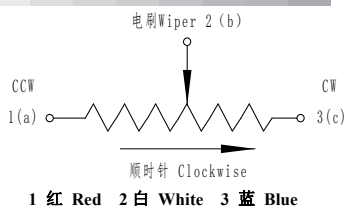
### ■ 环境特性 Environmental Characteristics

- 额定功率 Power rating: 0.5W@70°C, 0W@125°C
- 温度范围 Temperature range -55°C~+125°C
- 温度系数 TCR ≤ ±250 × 10<sup>-6</sup>/°C
- 温度变化 Change of Temperature:  
-55°C, 30min; +125°C, 30 mins, 3 times,  
 $\Delta R \leq \pm(3\%R + 0.1\Omega)$ ,  
 $\Delta(U_{ab}/U_{ac}) \leq \pm(2\% + \text{最低分辨力(theoretical resolution)})$
- 碰撞 Collision: 390m/s<sup>2</sup>, 4000 times  
 $\Delta R \leq \pm(2\%R + 0.1\Omega)$ ,
- 振动 Vibration: 10~500Hz, 0.75mm, 6h  
 $\Delta R \leq \pm(2\%R + 0.1\Omega)$ ,  
 $\Delta(U_{ab}/U_{ac}) \leq \pm(3\% + \text{最低分辨力(theoretical resolution)})$
- 气候顺序 Climate Sequence: Per IEC 68-2-2 etc  
 $\Delta R \leq \pm(5\%R + 0.1\Omega)$ ,  $R_i \geq 100M\Omega$
- 电气耐久性 Electrical Endurance: 0.5W, 70°C, 1000h  
 $\Delta R \leq \pm(5\%R + 0.1\Omega)$
- 机械耐久性 Mechanical Endurance: 200 turns  
 $\Delta R \leq \pm(5\%R + 0.1\Omega)$
- 稳态湿热 Damp heat, steady state: Per IEC 68-2-3, 240h  
 $\Delta R \leq \pm(5\%R + 0.1\Omega)$

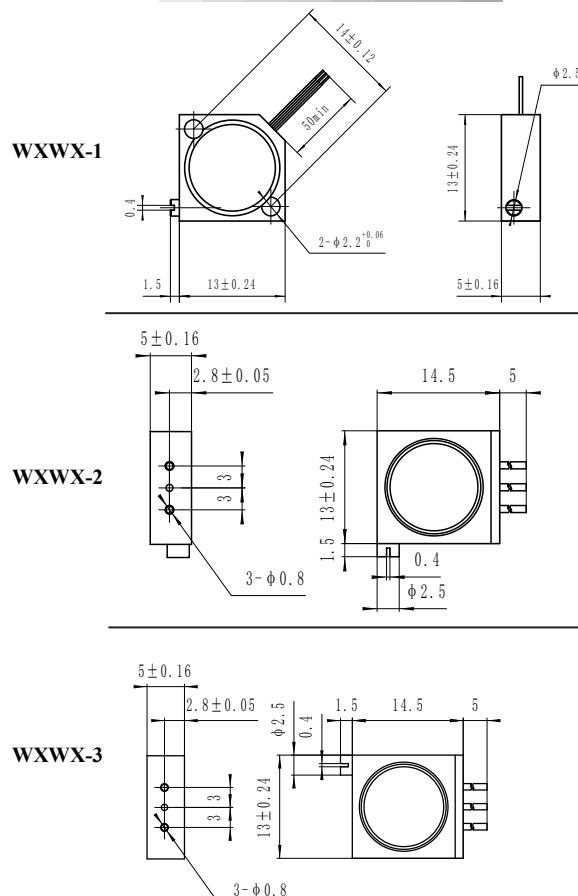
### ■ 物理特性 Physical Characteristics

- 总机械行程: Total mechanical travel: 40±5 turns
- 启动力矩: Starting torque ≤ 20mN·m
- 标志: 型号、引出端形式、标称阻值、制造厂商标、生产年月
- Marking: Type, terminal shape, Rated resistance, Trade mark of the manufacturer, Production Date

### ■ 电路图 Circuit Diagram



### ■ 外形尺寸图 Dimensions



### ■ 标称阻值表

Nominal Resistance Table

阻值 (Ω) Resistance		
4.7	120	3.3K
5.6	150	3.9K
6.8	180	4.7K
8.2	220	5.6K
10	270	6.8K
12	330	8.2K
15	390	10K
18	470	12K
22	560	15K
27	680	18K
33	820	22K
39	1K	27K
47	1.2K	33K
56	1.5K	39K
68	1.8K	47K
82	2.2K	
100	2.7K	

### ■ 订货指南 Ordering Information

WXWX-2-22KΩ-±5%

型号 Type - 引出端形式 terminal shape - 标称阻值 Rated Resistance - 允许偏差 Tolerance