



- 科研军品 Common military product
- 独立线性度高、体积小 Improved linearity, Small in size
- 作角度传感器使用 Used as angle transducer

WD10 型精密导电塑料电位器
WD10 Precision conductive plastic potentiometer

■ 适用标准 Applicable specifications

- GJB1865-94 非线绕精密电位器总规范
- Q/RU487-2013 WD10 型精密导电塑料电位器详细规范

■ 电特性 Electrical characteristics

- 标称阻值范围 Range of nominal resistance
1K Ω ~10 K Ω
(可提供特殊阻值)
(Special resistance available upon request)
- 阻值允许偏差 Resistance tolerance
 $\pm 10\%$ (精密级, Precision), $\pm 15\%$
- 绝缘电阻 Insulation resistance
 $R_i \geq 500M\Omega$
(500V_{DC}, 正常气压下
Atmospheric pressure)
- 独立线性度 Independent linearity
 $\leq \pm 0.5\%$; $\leq \pm 1\%$
- 输出平滑性 Output smoothness
 $\leq \pm 0.1\%$
- 介质耐电压 Dielectric withstand voltage
500V_{AC}, 1min
- 有效电行程 Effective electrical travel
60°~100°(可根据用户要求提供)
(Bespoke products available)
- 旋转寿命 Rotation life
1,000,000 turns

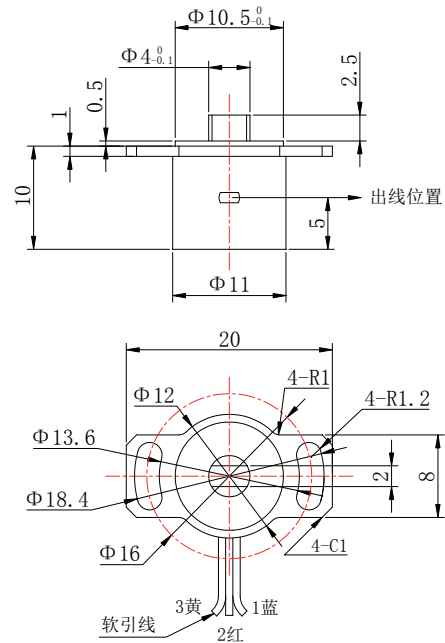
■ 环境特性 Environmental characteristics

- 额定功率 Rated power
0.1W@70°C, 0W@125°C
- 温度范围 Temperature range
-55°C~+125°C

■ 物理特性 Physical characteristics

- 总机械行程 Total mechanical travel: 360°
- 启动力矩 Operating torque: $\leq 5mN\cdot m$
- 重量 Weight $\leq 15g$
- 标志: 型号、标称阻值、阻值偏差
Marking: Type, Nominal resistance, Resistance tolerance
- 标准包装 Standard package: 1 只/每盒 1pcs/box

■ 外形尺寸图 Dimensions



注: 未注公差按 GB1804-79, IT13 执行
Tolerance: as specified in GB1804-79, IT13

■ 标称阻值表
Nominal resistance table

阻值(Ω) Resistance
1K
2K
5K
10K

■ 订货指南 Ordering information

WD10— 2.7K— K— $\pm 0.5\%$

型号 Type— 标称阻值 Nominal resistance—
允许偏差 Tolerance— 独立线性度 Linearity