

科研军品

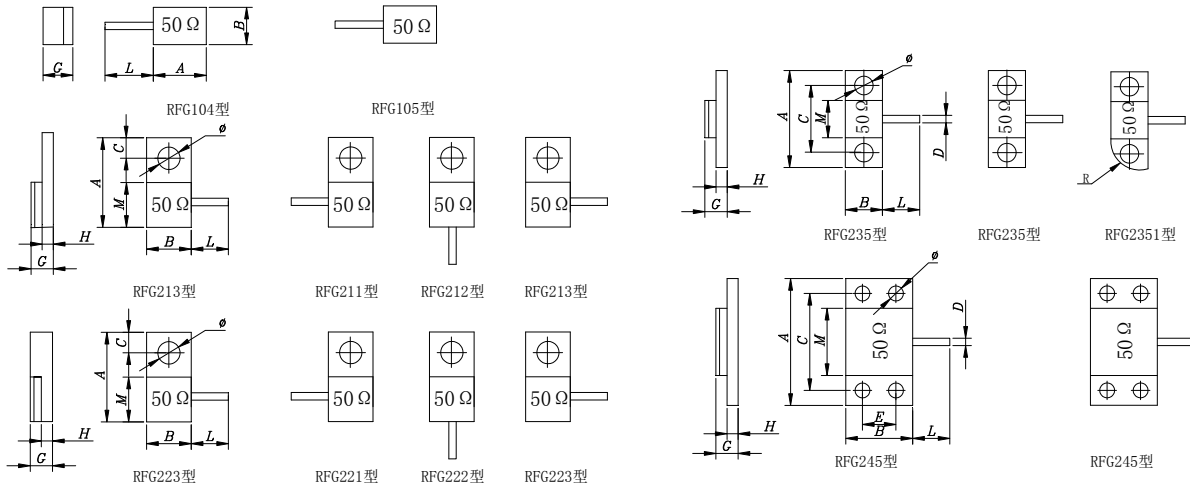
- 电压驻波比低
Low VSWR

RFG 单引线微波功率型负载电阻器 RFG Series single lead, RF power resistor

■ 适用标准 Applicable specifications

- Q/RU241-2003 RFG 型功率负载电阻器民品详细规范
- Q/RU20006-2002 RFG 型功率负载电阻器军品详细规范

■ 外形尺寸图 Dimensions



高频功率负载电阻器

■ 主要技术指标及外形尺寸 Main specifications and Dimensions

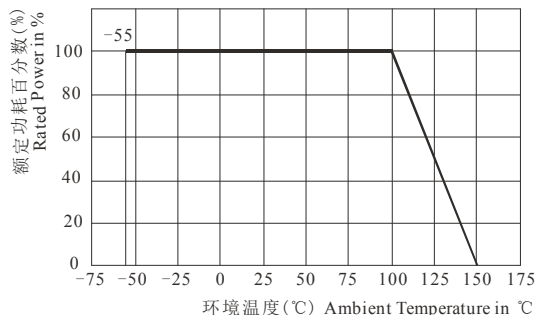
型号 Type	脉冲功率 Pulse Power (W)	工作频率 Frequency (GHz)	外形尺寸 Dimension (mm)										
			A ±0.2	B ±0.2	C ±0.2	D ±0.2	M ±0.2	L ±1	G max	H ±0.2	Φ ±0.2	R ±0.2	E ±0.2
RFG1	1	0~6	5	2		1.5		6	2.0				
	2			3		2							
	3		6	5		3			2.4				
	5		9	6		3							
	10		10	8		6							
RFG21	10	0~6	7.6	5	2.5	1	2.5	6	3.8	1.2	3.1		
	20		10				1.5					4	
	30		14.5	6.5	3.5		6.3				3.5		
	60		13.1	6.3	3.2	1	6.3						
	150	0~3	14.3	9.5	4	2	6.3						
RFG22	100	0~3	13.1	6.3	3.2	1.5	6.3	6.3		1.5	3.1		
	120												
RFG23	10	0~6	12.7	5	7.6	1	2.5	6	3.8	1.2			
	12		13.8	4	9	0.8	5		2.8	0.6	2	3.5	
	20		15	5	11	1	4		3.5	1	2.2		
	30		20	6	14	1.5	9		5	2	3.1		

对于本页内容的任何变更，恕不另行通知。订货前，请确认技术参数。Specifications are subject to change without notice.

型号 Type	脉冲功率 Pulse Power (W)	工作频率 Frequency (GHz)	外形尺寸 Dimension (mm)										
			A ±0.2	B ±0.2	C ±0.2	D ±0.2	M ±0.2	L ±1	G max	H ±0.2	Φ ±0.2	R ±0.2	E ±0.2
RFG23	40	0~6	20.3	6	15.2	1.5	9	6	4.6	2	3.1		
	50		21	8	15		10		4.8				
	60		20.3	6	15.2		9		4.6				
	75	0~3	22	6.5	15.5	1.5	9.5		3.8	1.5	3.5		
	100			10			8		4.8	2	3.2		
	150			3			9.5		6			3	3.5
	200	0~3	25	9.6	18.5	3	12.7		6.5	3.1	4		
	250											9.5	6
	400	0~2	32	12.7	22	6	12.7		6.5	3.1	4		
800	0~1	48.3	26.4	39.4	6	25.4	4.2					12.7	

- 阻值范围 Range of resistance: 1~300Ω
- 阻值允许偏差 Resistance tolerance: ±2%, ±5%
- 电阻温度系数 TCR: ≤±150×10⁻⁶/°C; ≤±300×10⁻⁶/°C
- 驻波系数 VSWR: 1.2 (DC~3GHz); 1.3 (3~6GHz)

■ 降功耗曲线 Derating



注：安装表面温度：辅助散热器与电阻器安装表面之间的温度

Annotation: Mounting surface temperature: temperature between assistant flange/heat sink and resistor mounting surface

■ 订货指南 Ordering information

RFG - 2 - 2 - 1 - 120W - 50 Ω J

产品	是否带散热板	散热板结构	引出端	功率	标称阻值及精度
型号	With Flange/Heat	Flange/Heat	Terminal	Power	Nominal Resistance
Type	Sink or not	sink type	1.左引线 Left lead		And Tolerance
	1.No 2.Yes	1.单孔 single hole	2.中引线 Middle lead		G(±2%)
		2.单孔带台阶 (single hole with step)	3.右引线 Right lead		J(±5%)
		3.双孔 two holes	4.双引线 double leads		
		4.四孔 four holes	5.单引线 single lead		
		无散热板时 (without Flange/Heat sink)			
		0.涂覆 coated			
		1.带盖板 with cover			
		2.带盖板且背面金属化 with cover and metalized the back			