

体积小, 使用寿命长, 抗振性好, 抗冲击能力强  
Small volume, long operating life, good vibration resistance, strong resistance to impact  
法兰安装  
flange mounted  
作角度传感器使用  
Used as angular position sensor

**CJW-HE-1501型霍尔式角位移传感器**  
**CJW-HE-1501 hall-effect angular displacement sensor**

■适用标准 Applicable Specifications  
GJB 3162-1998 电感式轴角编码器通用规范

■外形尺寸图 Dimensions

■电气规格 Electrical Specification

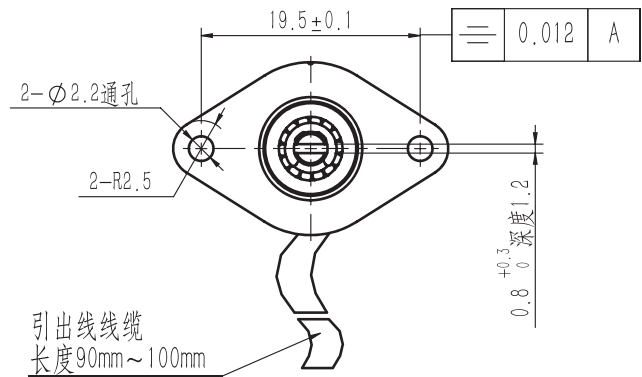
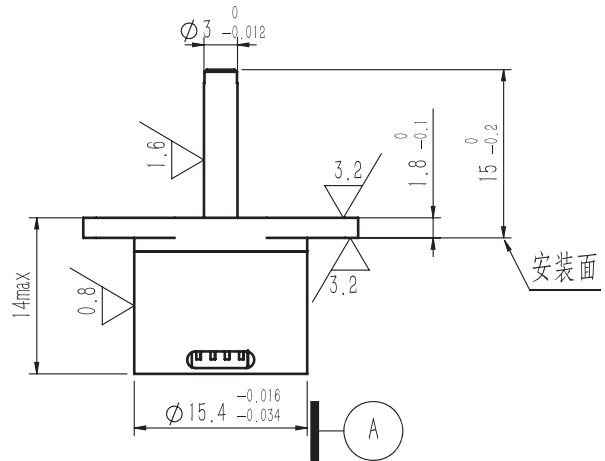
|                                      |  |
|--------------------------------------|--|
| 供电电压<br>VDD Supply Voltage           | DC5V±0.5V  |
| 供电电流<br>Supply Current               | 35mA max   |
| 输出信号<br>Output Signal                | 同步串行接口 SSI   |
| 输出分辨率<br>Output Resolution           | 12bit@360°   |
| 输出响应时间<br>Output Response Time       | ≤30us  |
| 独立线性度<br>Independent Linearity       | ≤±0.3%   |
| 介质耐压<br>Dielectric withstand voltage | 750V <sub>AC</sub> , Imin;<br>漏电流 Leakage Current ≤1mA |
| 绝缘电阻<br>Insulation Resistance        | 500V <sub>DC</sub> , ≥1GΩ                              |
| 连续通电寿命<br>Continuous Current Life    | ≥1000h   |

■环境特性 Environmental Characteristics

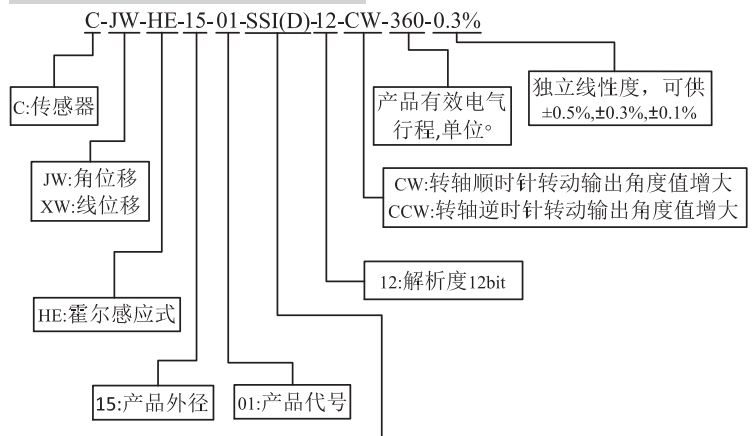
|                                    |                         |
|------------------------------------|-------------------------|
| 工作温度<br>Operating Temperature      | -55°C~+125°C            |
| 温度冲击<br>Thermal Shock              | -55°C~+125°C, 10 cycles |
| 高温工作<br>High Temperature Operating | +125°C±2°C, 1h          |
| 低温工作<br>Low Temperature Operating  | -55°C±2°C, 1h           |
| 冲击<br>Shock                        | 50G~20000G              |
| 振动<br>Vibration                    | 15G                     |
| 耐湿<br>Moisture proof               | GJB360B-2009 method 106 |
| IP防护等级<br>IP Rating                | IP50                    |
| ESD等级<br>ESD Rating                | 2000V max               |

■机械特性 Mechanical Characteristics

|                            |  |
|----------------------------|--|
| 旋转力矩<br>Running Torque     | ≤2mN·m   |
| 重量<br>Weight               | 17g±3g   |
| 引出端标识<br>Terminal Identity | VDD 红 Red, GND 黑 Black,<br>CLK+ 黄 Yellow, CLK- 白 White,<br>DA+ 绿 Green, DA- 灰 Gray       |
| 标志<br>Mark                 | 制造厂商标、型号、独立线性度、产品编号<br>Code symbol, Type, Resistance tolerance,<br>Product serial number |
| 外壳材质<br>Material Shell     | 不锈钢或铝合金或坡莫合金<br>Stainless steel or Aluminum alloy or Permalloy                           |



■订货指南 Ordering Information



信号输出模式:  
A——Analog 模拟输出  
P——PWM 脉冲宽度调制信号输出  
SPI——Serial Peripheral Interface 串行外围接口  
SSI (S) ——Synchronous Serial Interface (Single Ended) 单端同步串行信号  
SSI (D) ——Synchronous Serial Interface (Differential) 差分同步串行信号  
I——incremental 增量输出模式  
IIC——IIC 总线协议接口